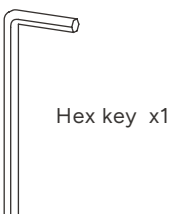
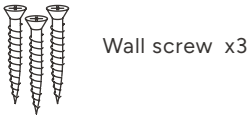
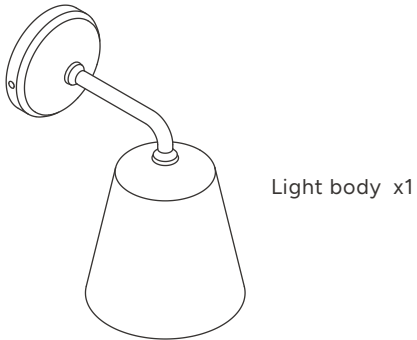


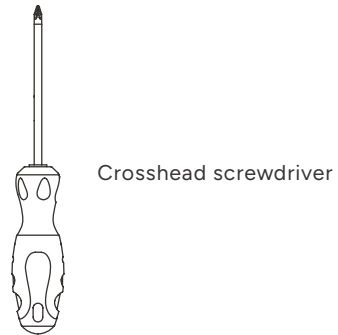
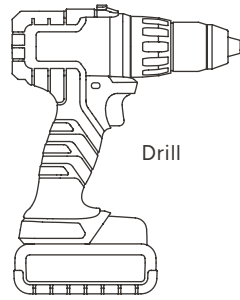
# Small wall light

## INSTRUCTIONS

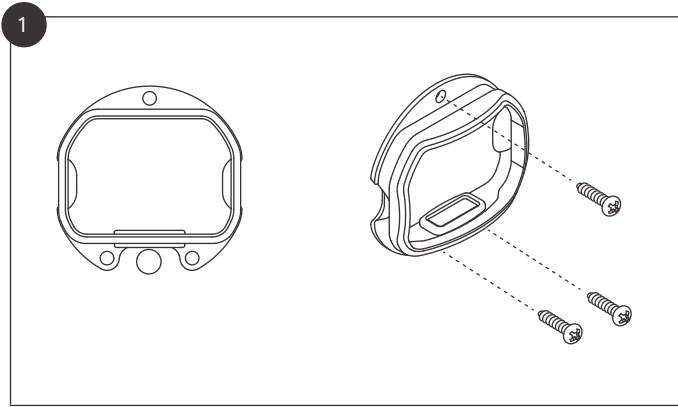
### INCLUDED



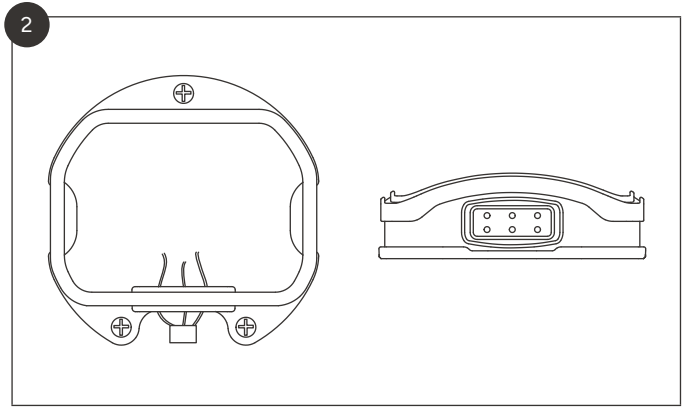
### TOOLS YOU'LL NEED



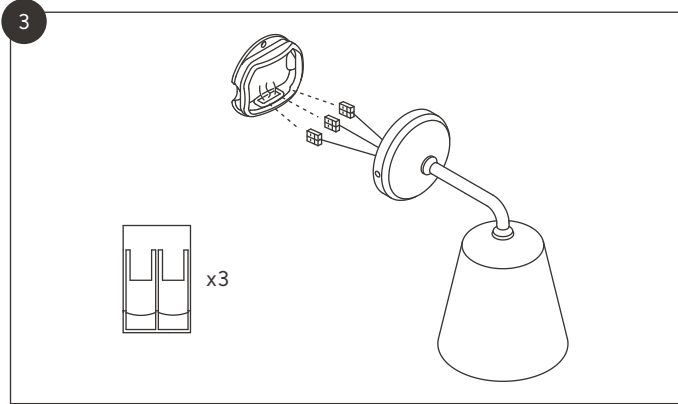
Small wall light instructions



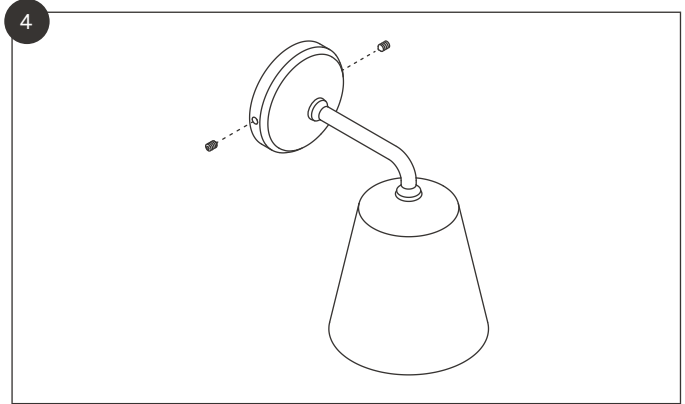
1 Install the wall light mount. See **page 4** for dimensions.



2 Push wires through the grommet.



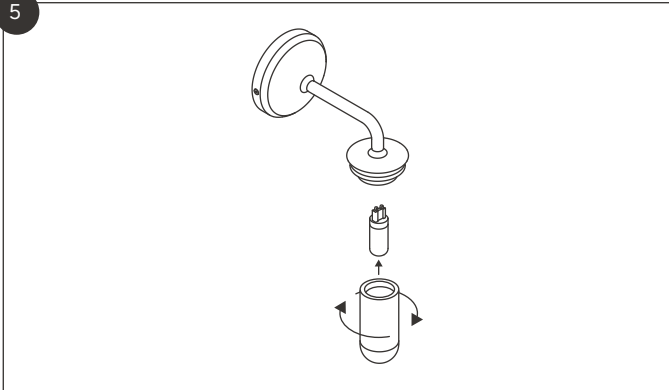
3 Connect the WAGOs inside the base.



4 Tighten the grub screws.

Small wall light instructions

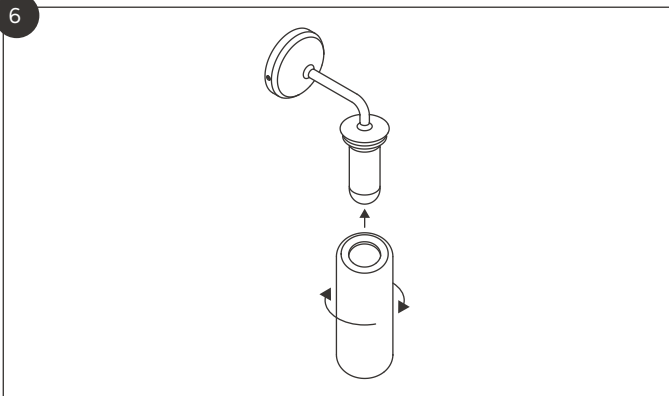
5



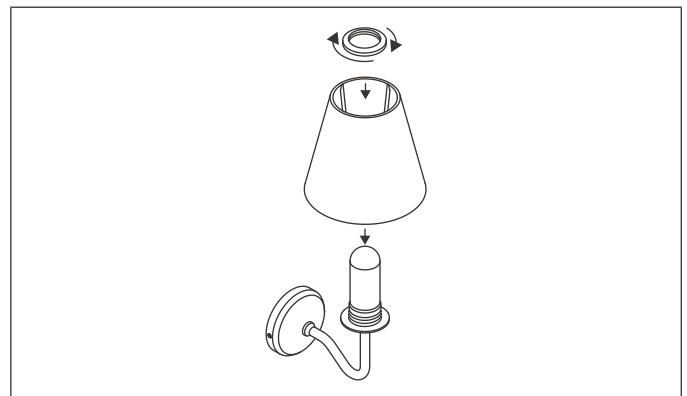
Unscrew the glass cover to add the bulb.

**Note:** the glass cover protects the bulb in wet environments and is required for the IP rating. If the light is installed in a dry setting, you can remove the glass cover to increase the life expectancy of the bulb.

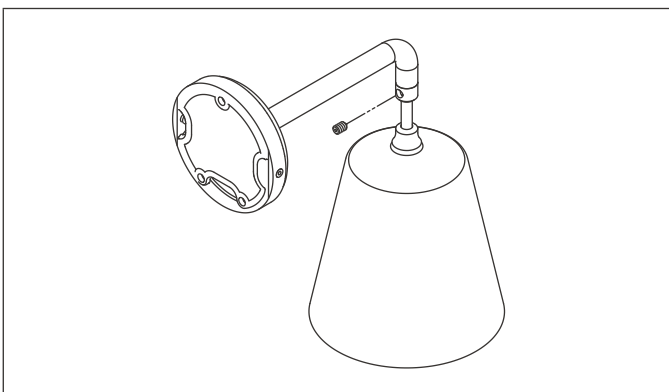
6



**Claremont:** screw the shade onto the body.



**Malvern:** use the shade ring to secure the shade.



**Richmond (hanging):** use the grub screw to adjust the shade height.

Small wall light instructions

